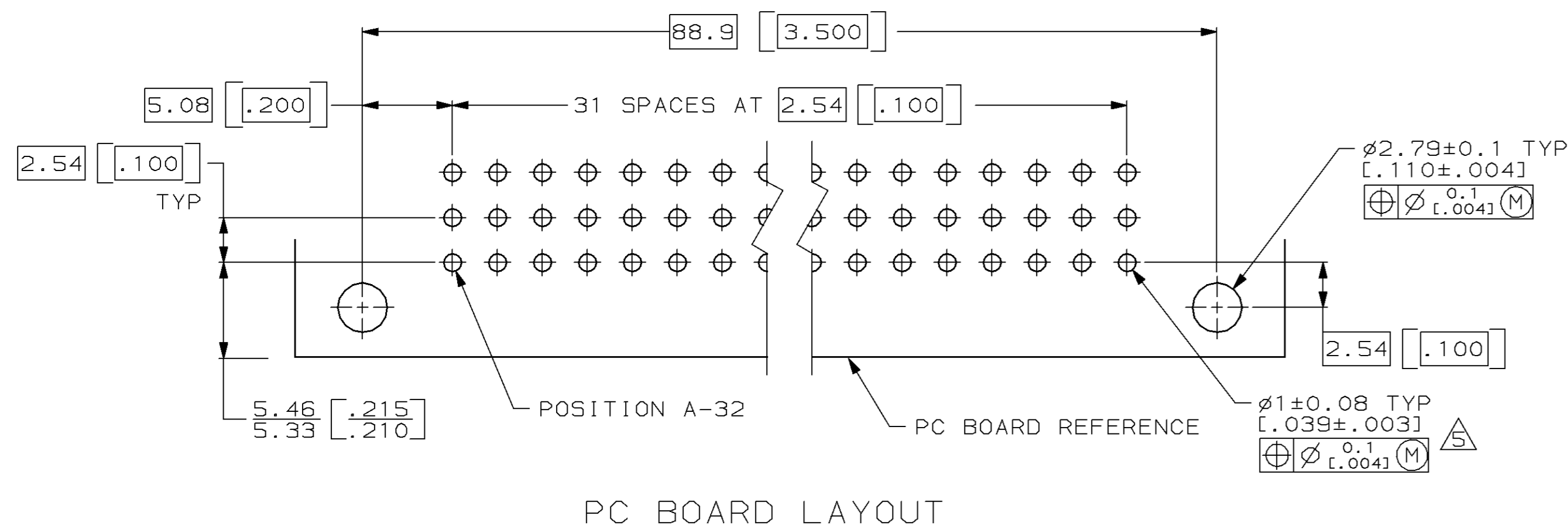
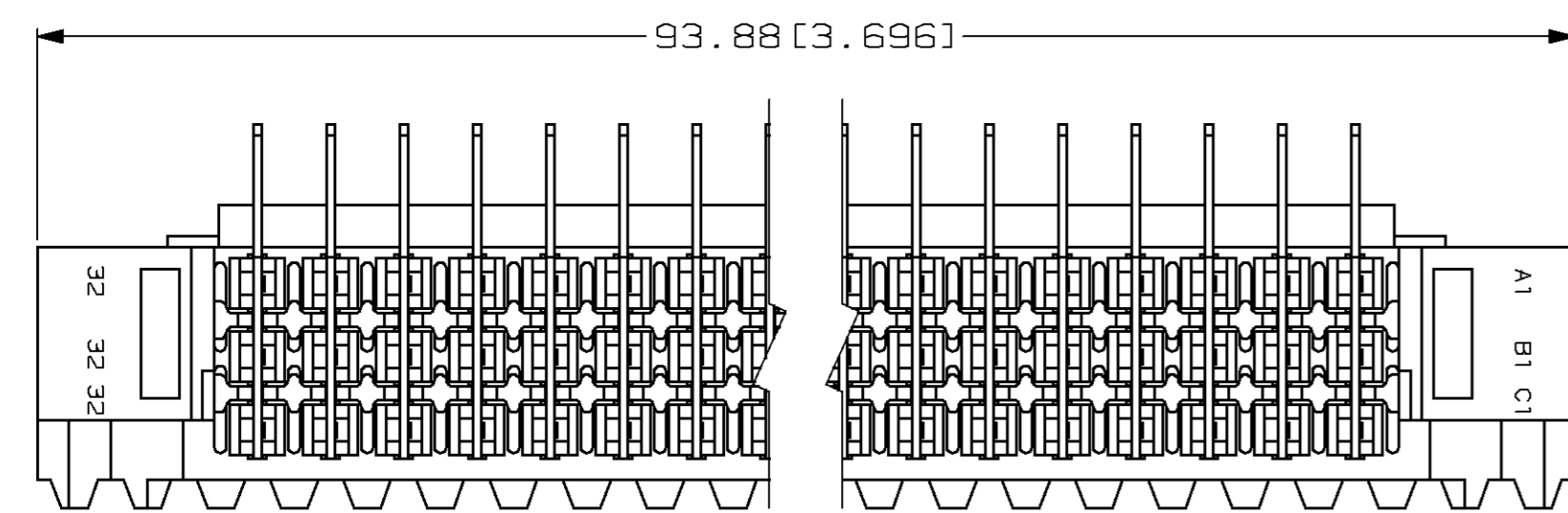
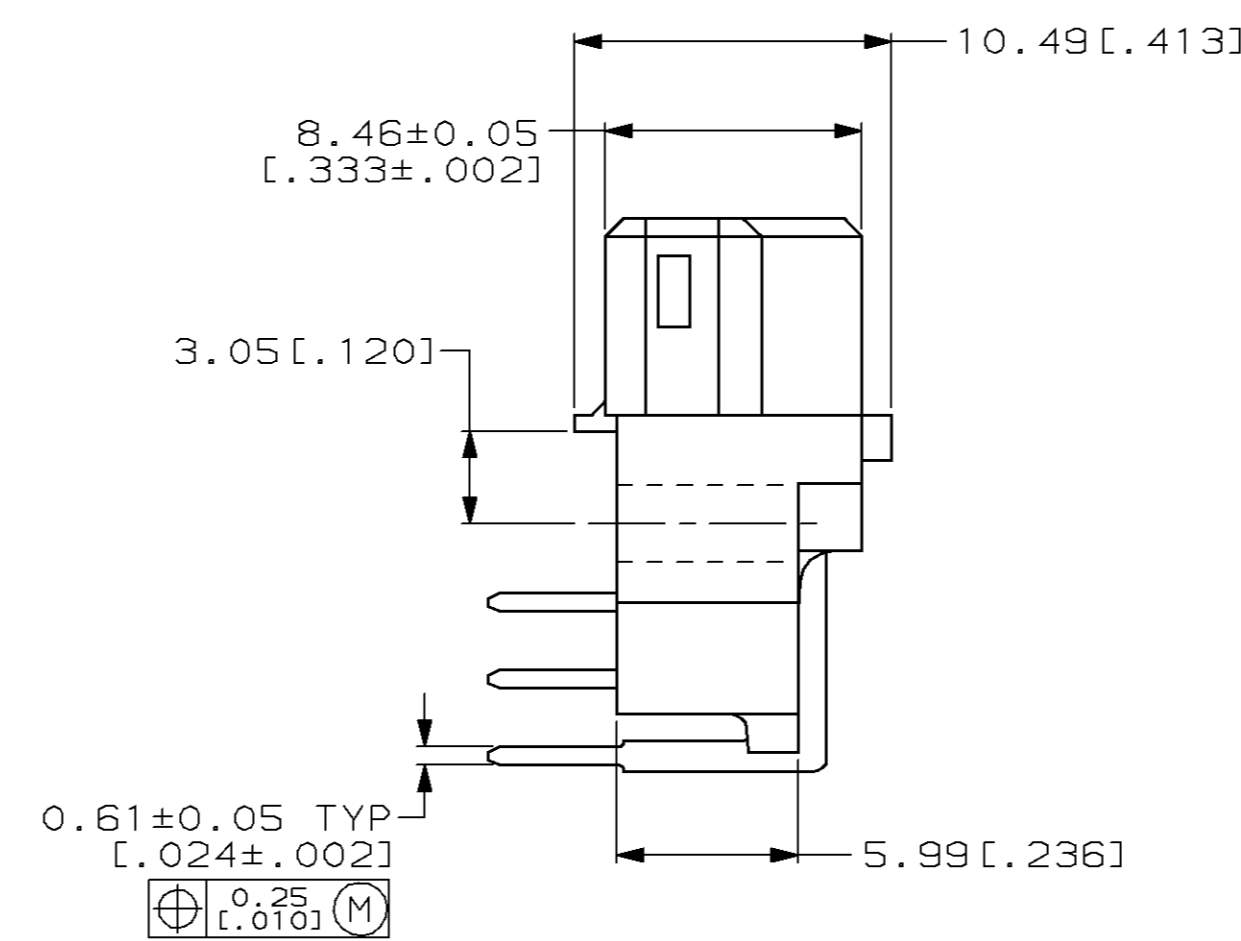
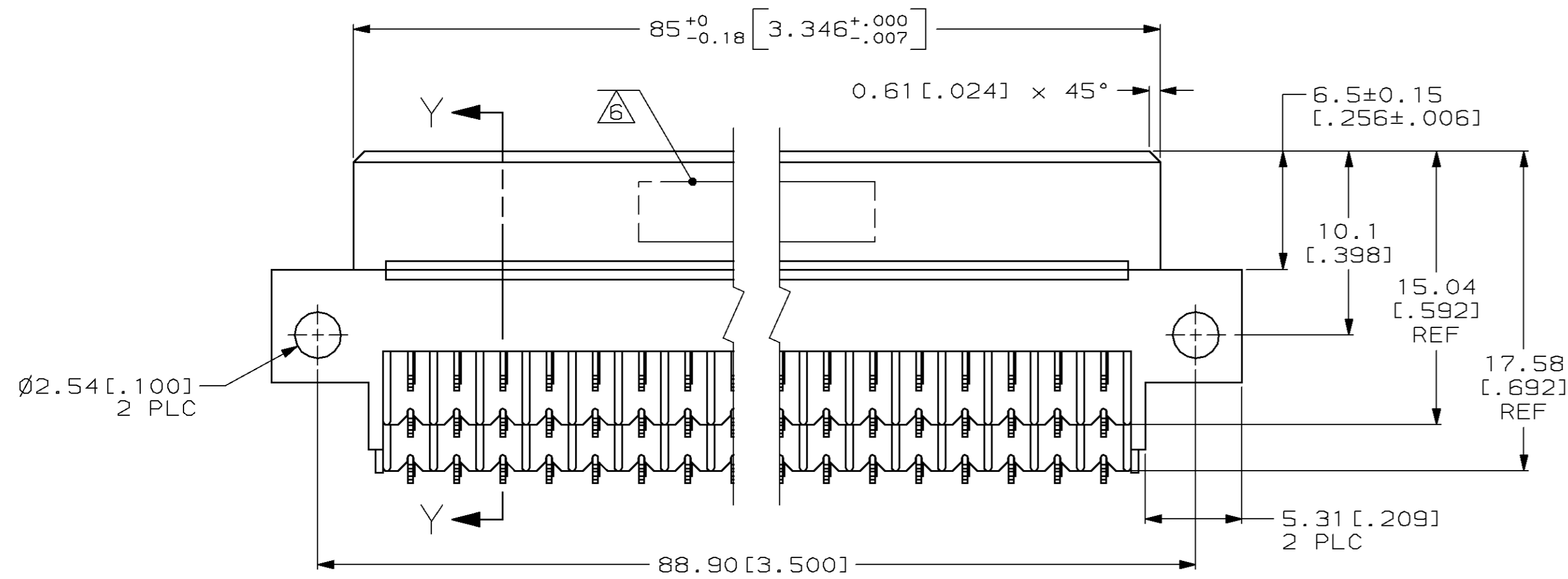
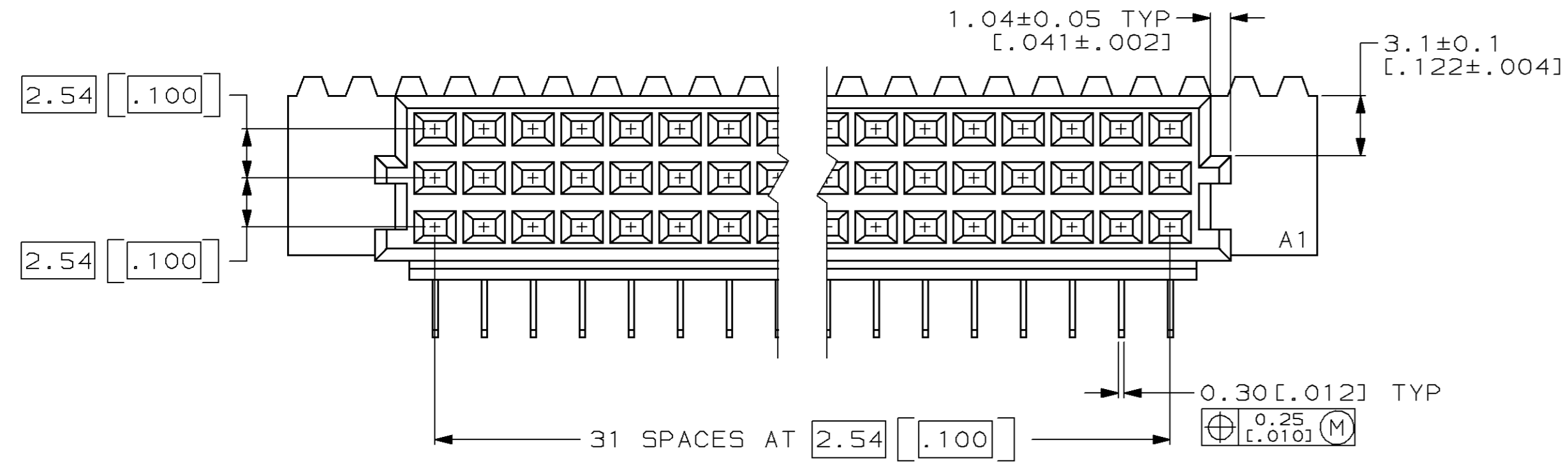
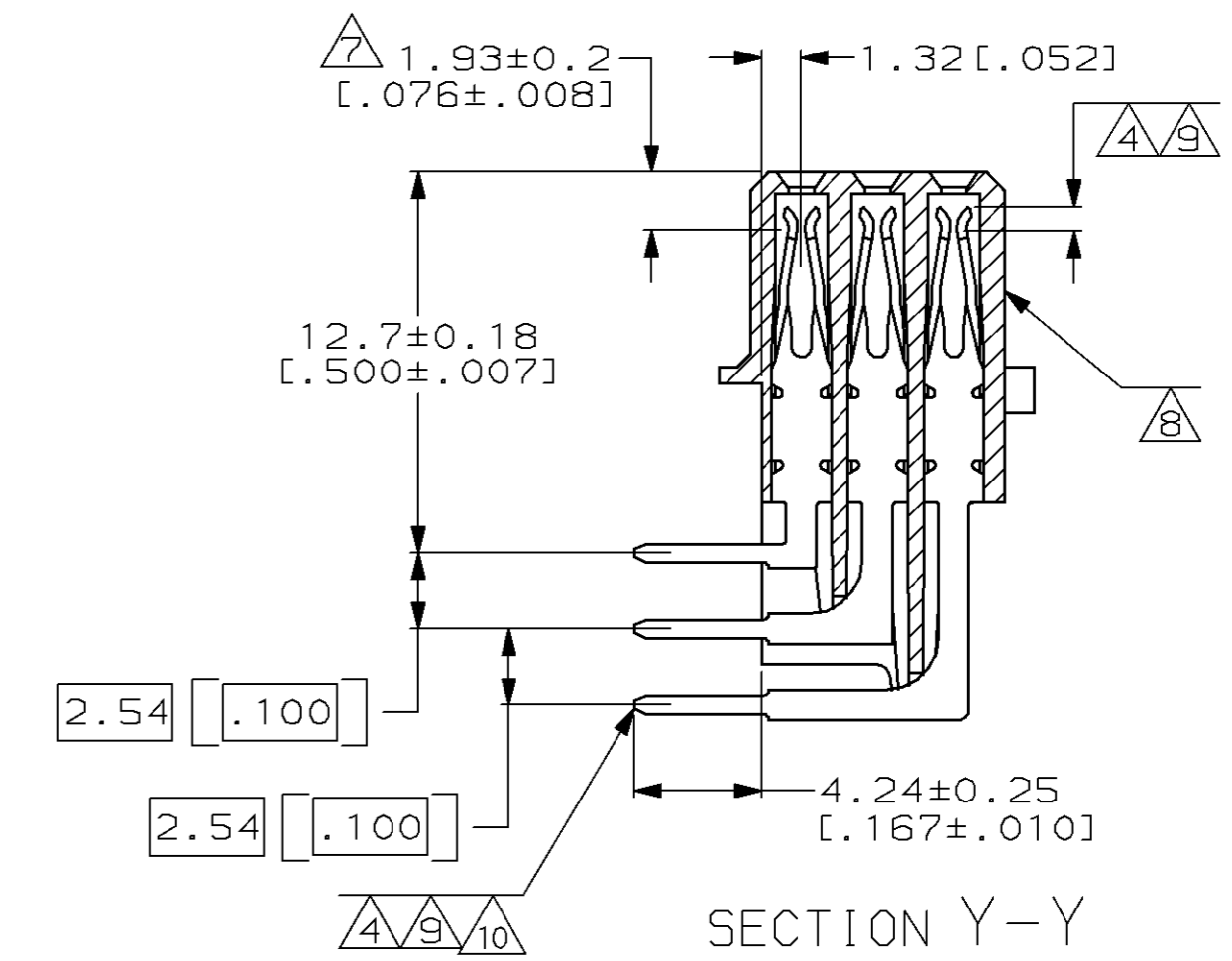


LOC		DIST		P		F		ZONE		LTR		REVISIONS			
AD	25											DESCRIPTION	DATE	APPD	
												K	EC 0010-1490-95	4/1/96	CR
												L	EC 0010-0738-96	5/20/96	CR



- DIMENSIONS IN BRACKETS ARE IN INCHES.
- HOUSING MATERIAL: GLASS-FILLED POLYESTER. COLOR: GRAY.
- CONTACT MATERIAL: PHOSPHOR BRONZE.
- CONTACT FINISH: 0.00076[.000030] GOLD IN CONTACT AREA. 0.00127[.000050] NICKEL UNDERPLATE ALL OVER. TIN-LEAD ON POSTS.
- RECOMMENDED HOLE SIZE FOR MANUAL APPLICATION OF CONNECTOR ONTO PC BOARD.
- PART NUMBER, DATE CODE IDENTIFICATION, CSA LOGO HOT-STAMPED THIS APPROXIMATE AREA.
- CONTACT POINT.
- HOT-STAMPING ON THIS SIDE.
- CONTACT FINISH: DIN 41612 CLASS 3 IN CONTACT AREA. TIN-LEAD ON POSTS.
- CONTACT FINISH: DIN 41612 CLASS 2 IN CONTACT AREA. TIN-LEAD ON POSTS.



NOTES	POSITIONS LOADED	C	B	A	NO. OF LOADED POSITION	ASSY PART NUMBER
SUPERSEDED BY 650462-4	1 THRU 32	X	X	X	96	650462-9
	1 THRU 32	X	X	X	96	650462-5
	1 THRU 32	X	X	X	96	650462-4

DO NOT SCALE PRINT. UNLESS SPECIFIED DIMENSIONS IN mm [INCHES]	DR L. BRINER 3/13/90	AMP INCORPORATED Harrisburg, Pa. 17105			
TOLERANCES ON:	CHK N. DRASHER 3/22/90				
1 PLC DEC ± -	APPD N. DRASHER 3/22/90	NAME			
2 PLC DEC ± 0.13(.005)	APPD K.R. PARMER 3/23/90	RECEPTACLE ASSEMBLY, EUROCARD, TYPE "R"			
ANGLES ± -	PRODUCT SPEC	SIZE CAGE CODE DRAWING NO			
MATERIAL	FINISH	D	00779	650462	
HSG	CONT	SCALE	4:1	SHEET 1 OF 1	
CONT	APPLICATION SPEC	WEIGHT			